

Product Guide: Business Broadband

Your business depends on your internet connection, so you need to be sure that you get it right.

The very best internet connectivity

We pride ourselves on providing the very best internet connectivity to keep your business operational, be it simple access to email, the ability to run video conferencing, or having your business telephony run over the internet (also known as 'Voice over IP' or VoIP).

Why choose our business broadband service?



Critical Care option gives you access to enhanced technical support and a Service Level Agreement for if things go wrong



No traffic shaping - unlike other suppliers we won't slow your connection speed down at any time of day or night



UK-based customer services and technical support functions



Range of packages to suit your needs

Our packages

A comprehensive list of our broadband packages, delivered over ADSL/ADSL+2, FTTC & FTTP.

Delivered over ADSL/ADSL+2

Features	Business Broadband
Download Speed	Up to 10Mbps
Download Usage	Unlimited
Free Router?	Yes
Free Static IP Address?	Yes
Contract Length	24 months
Critical Care Included?	Optional

Delivered over FTTC/G.FAST

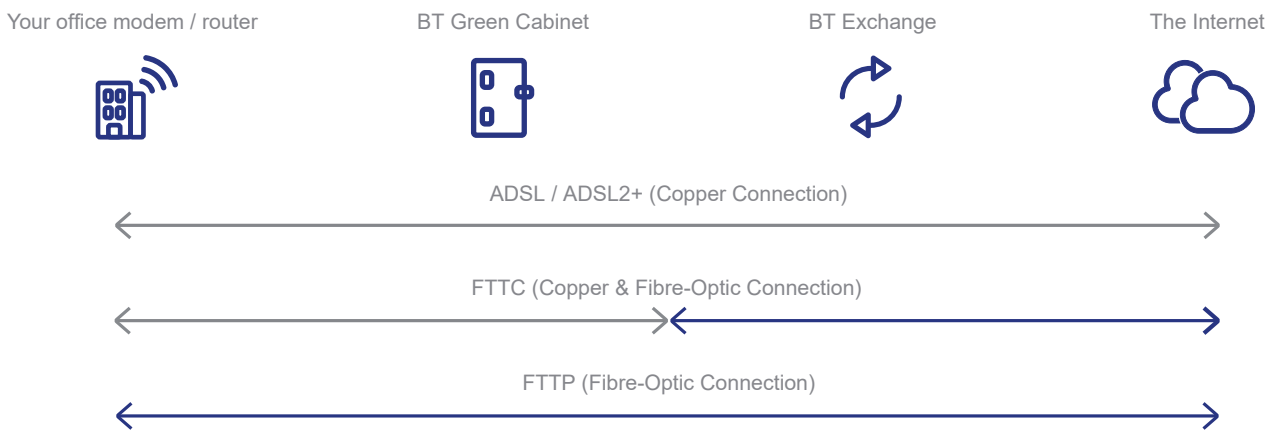
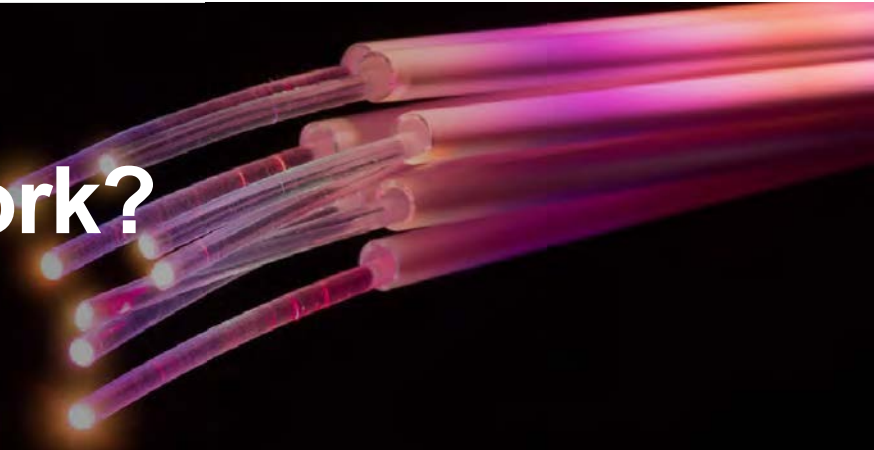
Features	Business Fibre 2	Business Fibre 4
Download Speed	Up to 66Mbps	Up to 300Mbps
Download Usage	Unlimited	Unlimited
Free Router?	Yes	Yes
Free Static IP Address?	Yes	Yes
Contract Length	12 or 24 months	12 or 24 months
Critical Care Included?	Optional	Optional

Delivered over FTTP

Features	Business Full Fibre 100	Business Full Fibre 300	Business Full Fibre 500	Business Full Fibre 1000
Download Speed	Up to 115Mbps	Up to 330Mbps	Up to 550Mbps	Up to 1Gbps
Download Usage	Unlimited	Unlimited	Unlimited	Unlimited
Free Router?	Yes	Yes	Yes	Yes
Free Static IP Address?	Yes	Yes	Yes	Yes
Contract Length	12 or 24 months	12 or 24 months	12 or 24 months	12 or 24 months
Critical Care Included?	Optional	Optional	Optional	Optional

How does it work?

Broadband and Fibre Broadband explained...



Broadband

Broadband is the common name we give to internet access regardless of the technology that it's delivered over. If you want to get a bit more technical, basic broadband is delivered over copper wires and is known in the industry as either ADSL or ADSL2+. ADSL2+ is a superior version which provides a more stable connection and slightly quicker speeds.

Fibre Broadband

Fibre Broadband works in essentially the same way, but uses fibre-optic cable to deliver the service. As the signals can travel at the speed of light, both download and upload speeds are significantly quicker than standard broadband. Fibre broadband also comes in two flavours – FTTP (Fibre to the Premises) where the entire connection is fibre-optic cable, or FTTC (Fibre to the Cabinet) where just a portion of the connection is fibre-optic. For FTTC, the final part of the connection (which runs from the green BT street cabinet to your home) uses standard copper in the same way as ADSL. FTTC is widely available; FTTP is more restricted in its availability but a quick and simple postcode check would determine if it's available in your area – just ask us.

For more information on our business broadband services, or to get help choosing the right option for your needs, give us a call today.